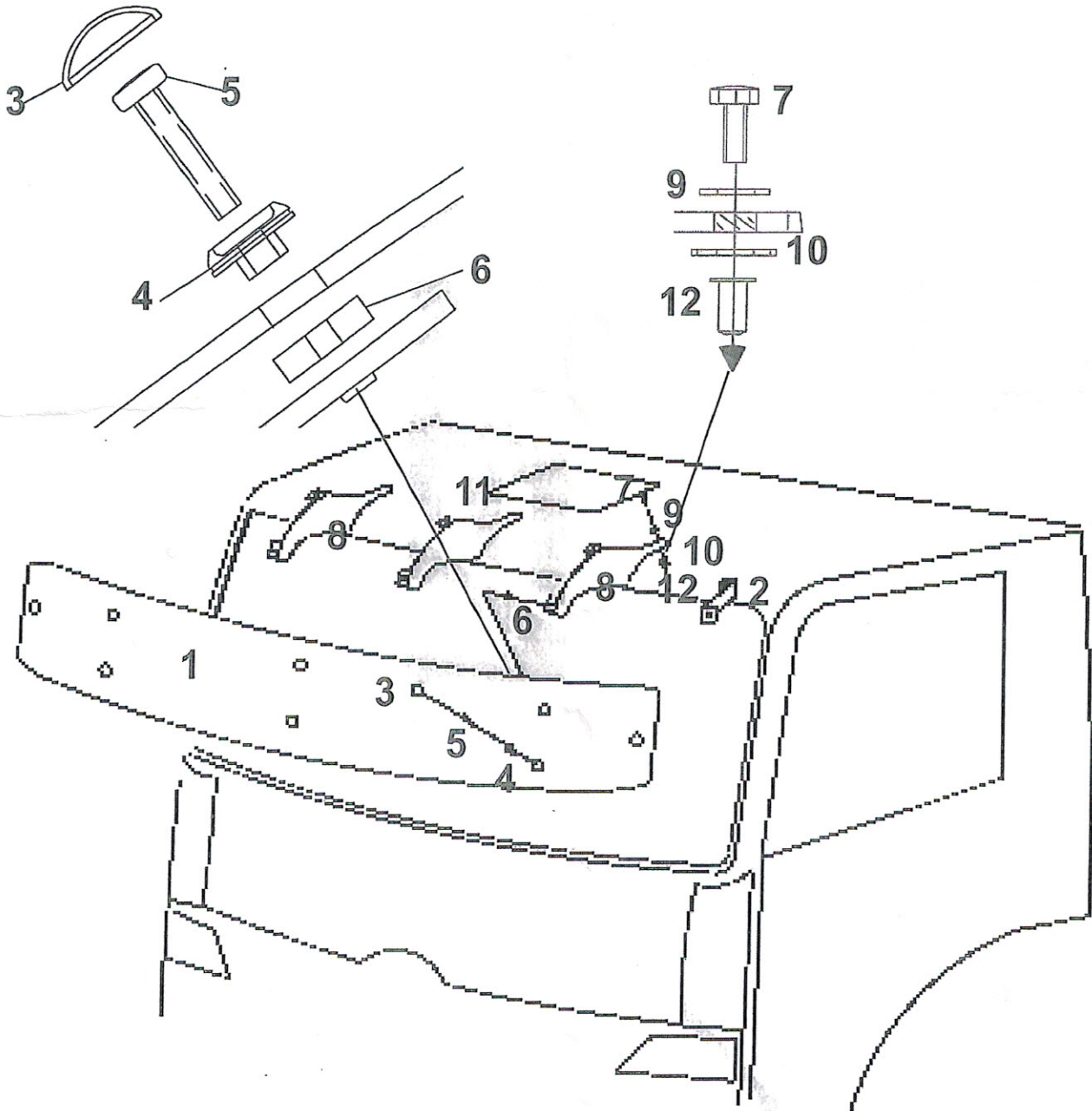




**VEPRO OY 5125 Atego II / Axor II Standard roof**  
**5128 Atego II / Axor II Standard roof for models**  
**with front view mirror**  
**Mounting instructions**

- |                       |        |                      |        |
|-----------------------|--------|----------------------|--------|
| 1. Acrylic part       | 1 pc   | 2. Side bracket      | 1 pair |
| 3. Cover hat          | 8 pcs  | 4. Cover collar      | 8 pcs  |
| 5. Screw M6x25mm      | 8 pcs  | 6. Rubber washer 6mm | 8 pcs  |
| 7. Hex. screw M6x20mm | 10 pcs | 8. Main bracket      | 1 pair |
| 9. Washer M6x18mm     | 10 pcs | 10. Rubber gasket    | 10 pcs |
| 11. Center bracket    | 1 pc   | 12. Rivet nut M6     | 10 pcs |



Osoite/Address  
 Tehtaankatu 21,  
 11710 RIIHIMÄKI  
 FINLAND

Puhelin/Telephone  
 + 358 19 724 000

Telefax  
 + 358 19 720 765

Pankki/Bank  
 OKO 539602-254945  
 Sampo 800016-70104554 FI09001798