

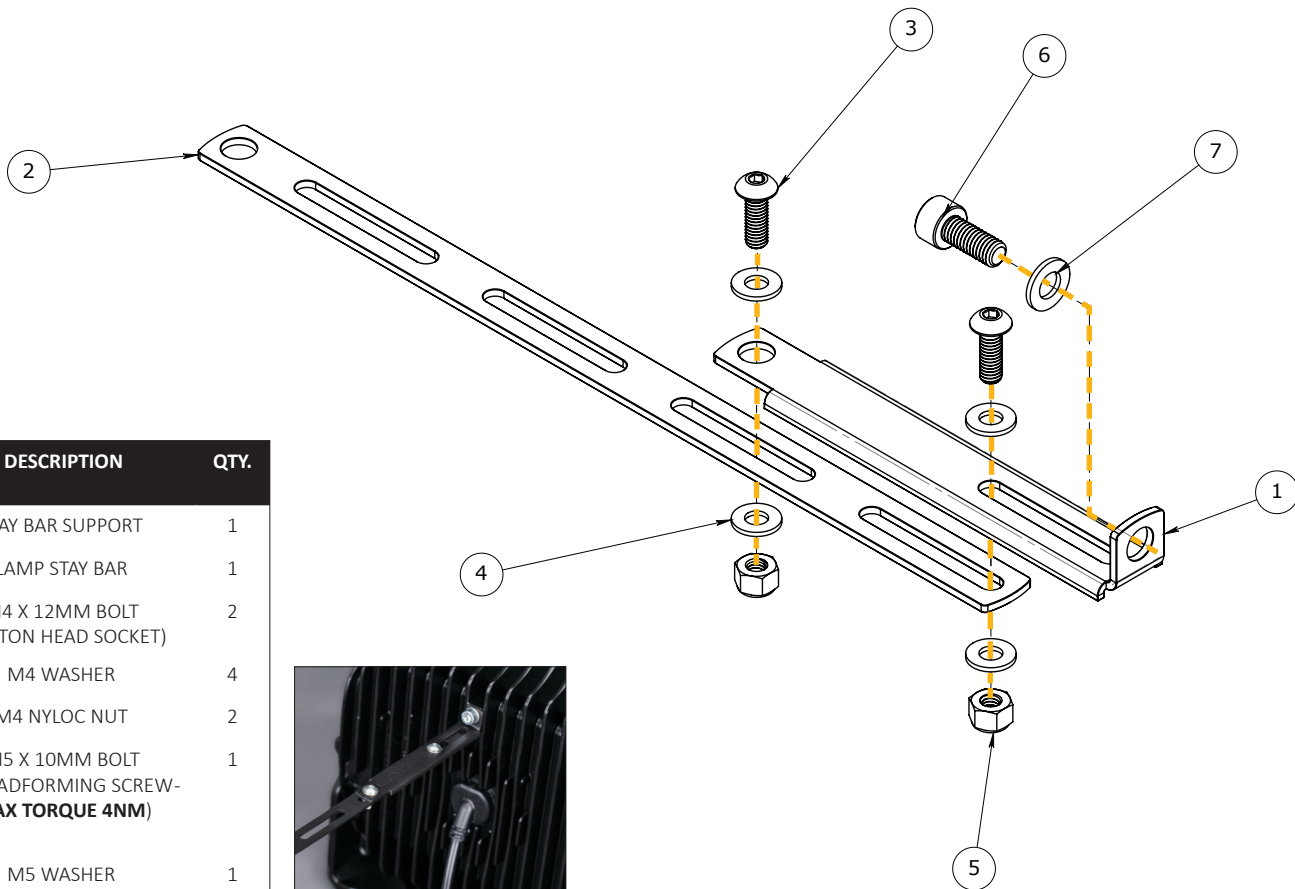


LAZER
HIGH PERFORMANCE LIGHTING

LAZER
HIGH PERFORMANCE LIGHTING

SENTINEL STAY BAR KIT

ASSEMBLY INSTRUCTIONS



ITEM NO.	DESCRIPTION	QTY.
1	STAY BAR SUPPORT	1
2	LAMP STAY BAR	1
3	M4 X 12MM BOLT (BUTTON HEAD SOCKET)	2
4	M4 WASHER	4
5	M4 NYLOC NUT	2
6	M5 X 10MM BOLT (THREADFORMING SCREW- MAX TORQUE 4NM)	1
7	M5 WASHER	1