


First application date; March 02, 2017

1. Specification data

Type	XPR-6		
Trade mark	VISION X or HAMMERHEAD or CF MOTO or OEX or CRX or ROADVISION or DURAVISION or PROLIGHT or NIGHTBREAKER or GENER8 or DULITE or SUPERVISION or SATURN or POLARIS or MAX LIGHT or GREAT WHITE or TWISTED THROTTLE or DENALI		
Applicable Regulation (UN ECE)	ECE R112.01 Category HR PL (Class B)		
Function	Driving beam headlamp		
Emitted color	WHITE		
Rated voltage	12 ~ 32 V		
Rated wattage	46 W (Max.)		
Number and categories of light source	6 LEDs, Non-replaceable light sources		
Location of marking	Rated Voltage & wattage	Marked on the electrical wiring	
	Trade mark	Marked on the housing	
	Approval Mark	01 HR PL 25	 11747
		Marked on the outer lens	

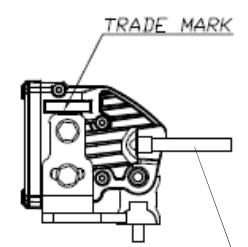
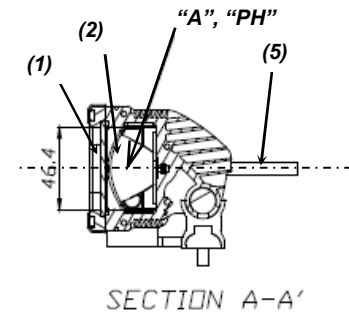
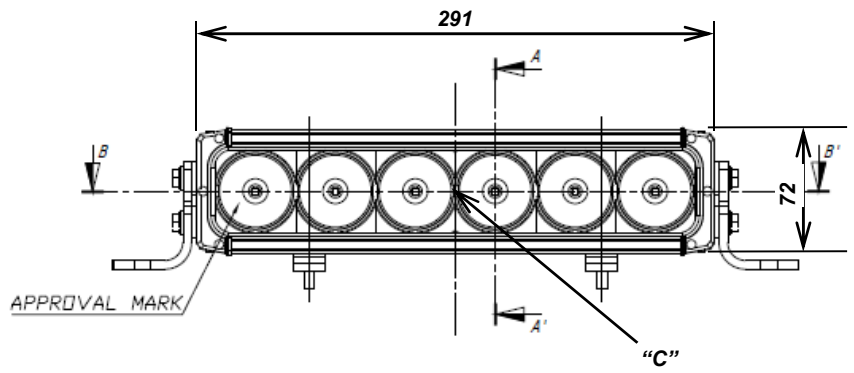
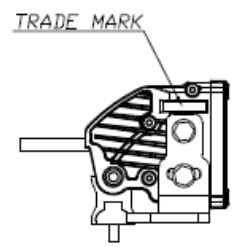
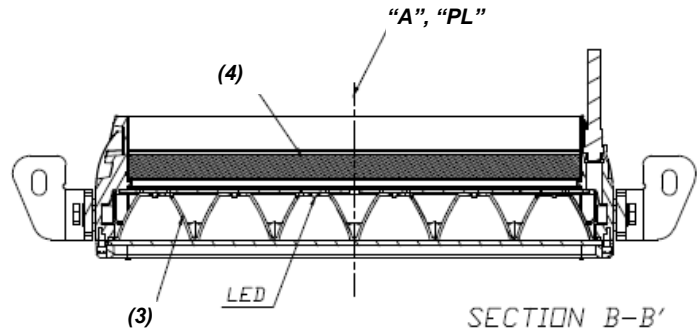
2. Name and address of manufacturer: VISION X ASIA CO., LTD.
23-7, Dongtansandan 9-gil, Dongtan-myeon, Hwaseong-si, Gyeonggi-do, Korea

3. Construction and material

Construction	Material	Remarks	Symbol on the drawing
Outer lens	Polycarbonate Trade name ; TRIREX 3022 L1 Manufacturer; Sam Yang Corporation, Korea	Coating system; Trade name ; UVT 200 , UV cured Manufacturer; Red Spot Paint & Varnish Co. Inc.	(1)
Inner lens	Plastic (Thermoplastic resin)	Clear color	(2)
Reflector	Plastic (Thermoplastic resin)	Reflective coating on the surface	(3)
Housing	Aluminum	-----	(4)
Electrical wiring	Copper covered with insulation		(5)

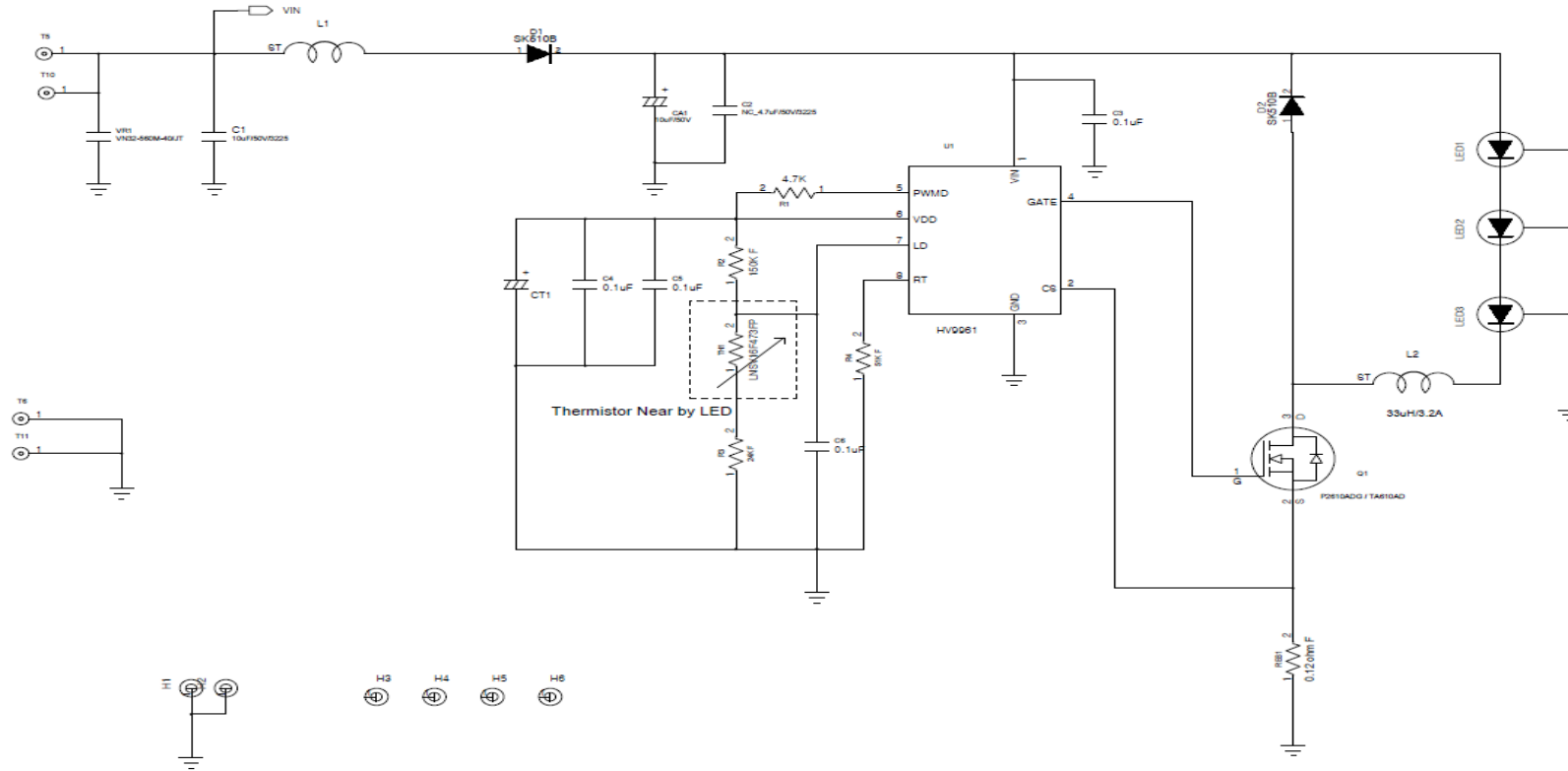
Note; Left hand device and Right hand device is the same. All units are mm and do not scale.'

Symbol	Description	Symbol	Description	Symbol	Description
"C"	Center of reference – Driving beam	"A"	Axis of reference – Driving beam	"PH"	Horizontal plane of vehicle
				"PL"	Longitudinal plane of vehicle



RATED VOLTAGE AND WATTAGE MARKING

< Circuit diagram – 3 LEDs x 2unit >



< Characteristics of light source control gear >

Function	Driving beam
Input voltage to lamp	12 ~ 32 V
Input current to light source	Constant current 7 A ±20%