


First application date; June 03, 2015

1. Specification data

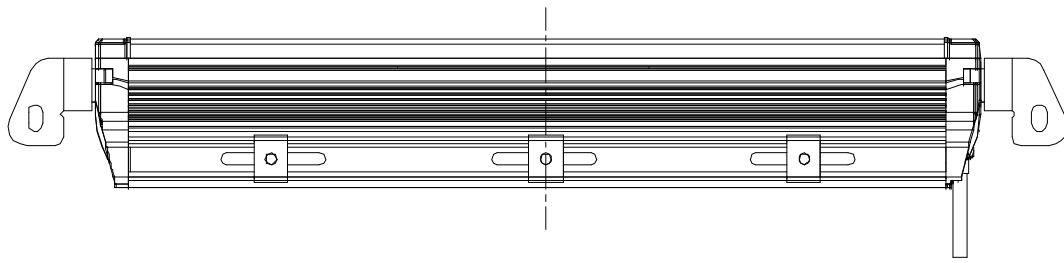
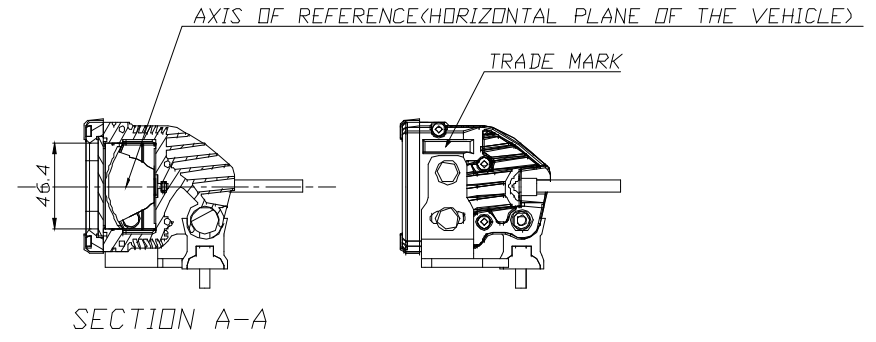
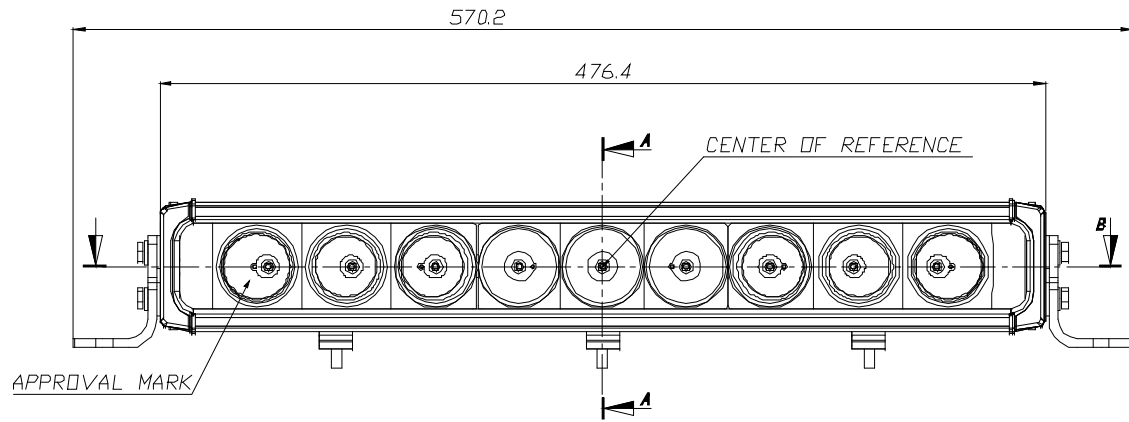
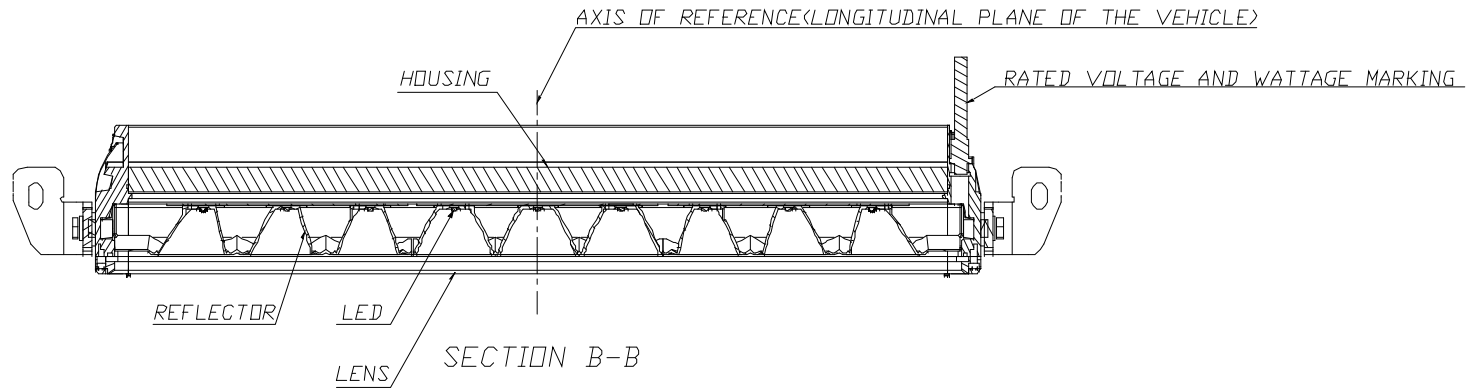
| | | | |
|---------------------------------------|---|---------------------------------|--|
| Type | XPR-9M | | |
| Trade mark | VISION X or HAMMERHEAD or CF MOTO or OEX or CRX or ROADVISION or DURAVISION or PROLIGHT or NIGHTBREAKER or GENER8 or DULITE or SUPERVISION or SATURN or POLARIS or MAX LIGHT or GREAT WHITE or TWISTED THROTTLE | | |
| Applicable Regulation (ECE) | ECE R112.01 Category HR PL (Class B) | | |
| Function | Driving beam headlamp | | |
| Emitted color | White | | |
| Rated voltage | 11V ~ 32V | | |
| Rated wattage | 96W (Max.) | | |
| Number and categories of light source | 9 LEDs, Non-replace light sources | | |
| Location of marking | Rated Voltage & wattage | Marked on the electrical wiring | |
| | Trade mark | Marked on the body | |
| | Approval Mark | 01 HR PL 20 |  11794 |
| | | Marked on the lens | |

2. Name and address of manufacturer: VISION X ASIA CO., LTD.
23-7, Dongtansandan 9-gil, Dongtan-myeon, Hwaseong-si, Gyeonggi-do, Korea

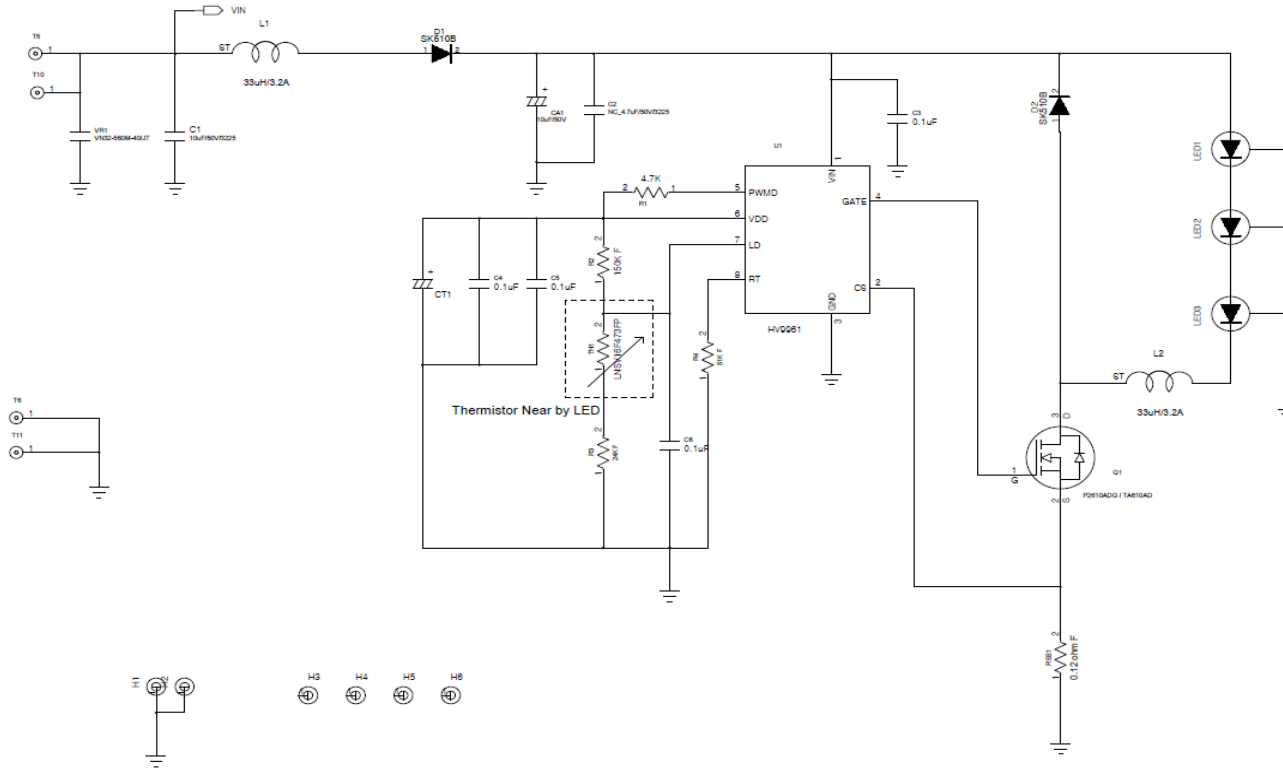
This information document consists of 4 pages

3. Construction and material

| Construction | Material | Remarks |
|-------------------|---|---|
| Lens | Polycarbonate Trade name ; TRIREX 3022 L1 Manufacturer; Sam Yang Corporation, Korea | Coating system; Trade name ; UVT 200 , UV cured Manufacturer; Red Spot Paint & Varnish Co. Inc. |
| Housing | Aluminum | ----- |
| Reflector | Plastic (Thermoplastic resin) | Reflective coating on the surface |
| Electrical wiring | Copper covered with insulation | |



< Circuit diagram –3 LEDs per unit x 3 units >



< Characteristics of light source control gear >

| | |
|-------------------------------|-------------------------------|
| Function | Driving beam |
| Input voltage to lamp | 11V ~ 32V |
| Input current to light source | Constant current 2.3A ±20% |