


First application date; January 12, 2015

1. Specification data

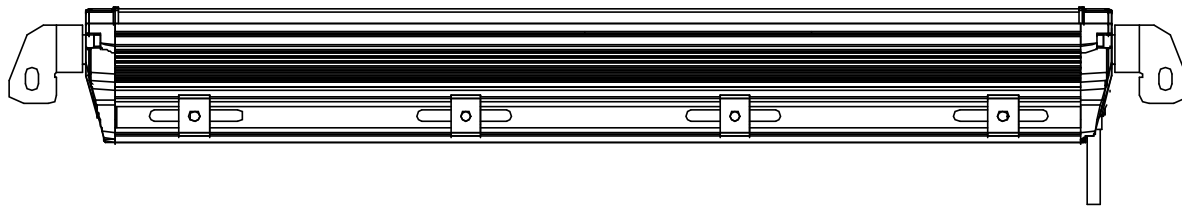
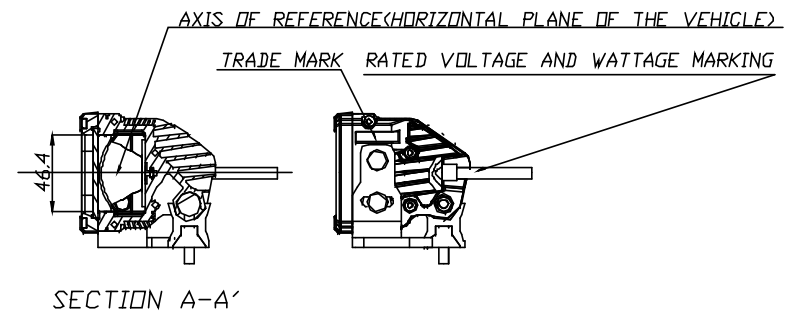
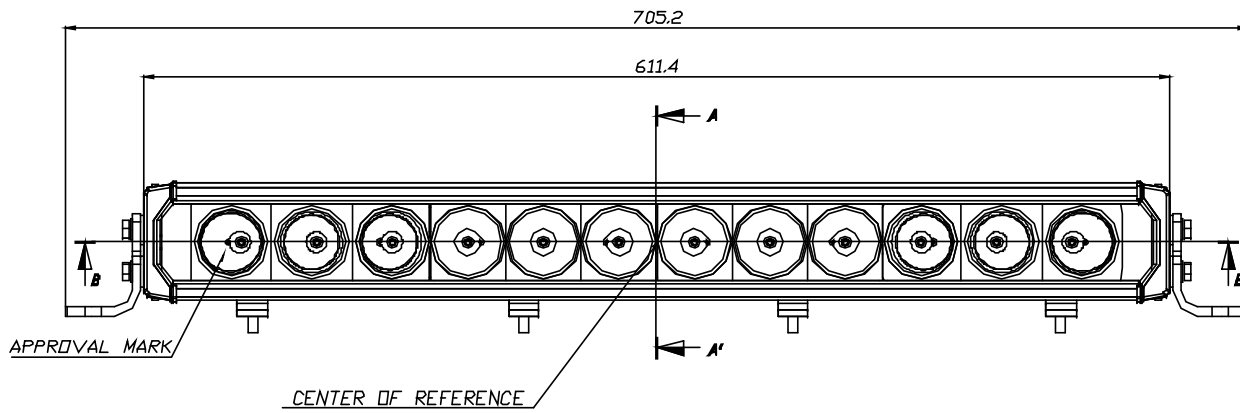
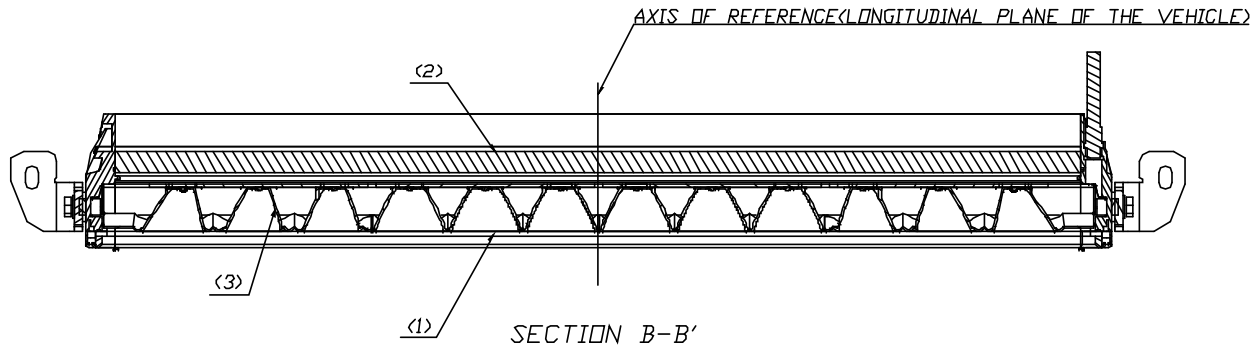
Type	XPR 12M		
Trade mark	VISION X or HAMMERHEAD or CF MOTO or OEX or CRX or ROADVISION or DURAVISION or PROLIGHT or NIGHTBREAKER or GENER8 or DULITE or SUPERVISION or SATURN or POLARIS or MAX LIGHT or GREAT WHITE		
Applicable Regulation (ECE)	ECE R112.01 Category HR PL (Class B)		
Function	Driving beam headlamp		
Emitted color	White		
Rated voltage	10V ~ 32V		
Rated wattage	120W (Max.)		
Number and categories of light source	12 LEDs, Non-replace light sources		
Location of marking	Rated Voltage & wattage	Marked on the electrical wiring	
	Trade mark	Marked on the body	
	Approval Mark	01 HR PL 30  11764	Marked on the lens

2. Name and address of manufacturer: VISION X ASIA CO., LTD.
23-7, Dongtansandan 9-gil, Dongtan-myeon, Hwaseong-si, Gyeonggi-do, Korea

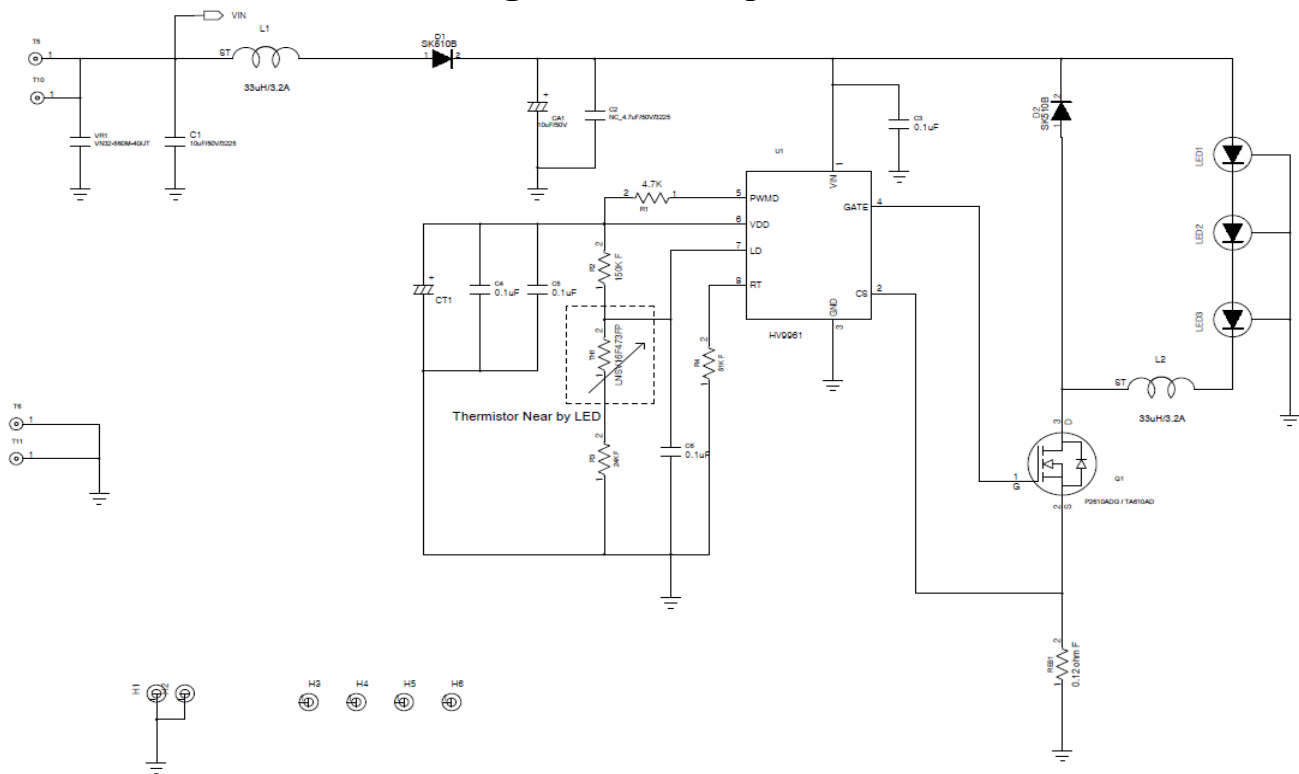
This information document consists of 4 pages

3. Construction and material

Construction	Material	Remarks	Symbol on the drawing
Lens	Polycarbonate Trade name ; TRIREX 3022 L1 Manufacturer; Sam Yang Corporation, Korea	Coating system; Trade name ; UVT 200 , UV cured Manufacturer; Red Spot Paint & Varnish Co. Inc.	(1)
Body	Aluminum	-----	(2)
Reflector	Plastic (Thermoplastic resin)	Reflective coating on the surface	(3)
Electrical wiring	Copper covered with insulation		



< Circuit diagram –3 LEDs per unit x 4 units >



< Characteristics of light source control gear >

Function	Driving beam
Input voltage to lamp	10V ~ 32V
Input current to light source	Constant current 2.3A ±20%