

Type : 1001-6200  
Manufacturer :

---

## Test Report

### Agreement

concerning the adoption of uniform technical prescriptions for the wheeled vehicles, equipment and parts which can be fitted and/or be used on wheeled vehicles and the conditions for reciprocal recognition of approvals granted on the basis of these prescriptions

### **Uniform provisions concerning the approval of front and rear position lamps, stop-lamps and end-outline marker lamps for motor vehicles (except motor cycles) and their trailers**

ECE-Regulation 7

including all amendments until

Series of Amendments: 03

Date of entry into force:

October 15, 2019

Approval status	
ECE	Number of approval
	E4*7R03/00*28191*00

**Test Report**  
**No. : TW007-A0-200080**  
**ECE Regulation No.7**



Type : 1001-6200  
Manufacturer :

---

Test object(s) and general test information

Test object(s)

identification number : 1001-6200  
version : Front position lamp  
Worst case : Not applicable

General test information

Order issued by  
(if different from manufacturer) : ---  
Test object / test vehicle received  
on : not applicable  
Test date : Finished on January 27, 2021  
Test site :  
Remark : ---

**Test Report**  
**No. : TW007-A0-200080**  
**ECE Regulation No.7**



Type : 1001-6200

Manufacturer :

---

Test minutes

Test facilities : The test facilities are in compliance with the requirements of the regulation.

Test results : See enclosure.

Temperature/Relative Humidity of laboratory : 21.6 °C / 44 %

Markings : The trade mark is marked clearly legible and indelible on the reflector of the lamp.

~~The light source is clearly legible and indelible marked on the housing of the lamp.~~

The rated voltage and rated wattage of the light source is clearly legible and indelible marked on the back of reflector of the lamp.

Space for the approval mark and for additional symbols is provided on the lens.

**Test Report**  
**No. : TW007-A0-200080**  
**ECE Regulation No.7**



Type : 1001-6200  
 Manufacturer :

General specifications : The lamps are designed and made that under normal use their satisfactory operation is ensured and they retain the required characteristics according to Paragraph 5 of the Regulation.

All measurements, photometric and colorimetric, on the lamp equipped with non-replaceable light sources LED were made at ~~6.75V~~ 13.5 V / 28.0 V.

The colour of the light emitted is white which satisfies the condition prescribed in Paragraph 8 of the Regulation.

"White" means the chromaticity coordinates (x,y) of the light emitted that lie inside the chromaticity areas defined by the boundaries:

green boundary :  $y = 0.150 + 0.640 x$

yellowish green boundary :  $y = 0.440$

yellow boundary :  $x = 0.500$

reddish purple boundary :  $y = 0.382$

purple boundary :  $y = 0.050 + 0.750 x$

blue boundary :  $x = 0.310$

The chromaticity coordinates (x,y) of the light emitted (Reference axis)	Front position lamp	
	12 V	24 V
x	0.3300	0.3302
y	0.3482	0.3483

Decision :  Pass or  Failed

**Test Report**  
**No. : TW007-A0-200080**  
**ECE Regulation No.7**



Type : 1001-6200  
Manufacturer :

---

Photometric tests

: The light emitted was obtained by means of LED stated in Appendix L-9, ~~producing the required luminous flux.~~

The light intensity of LED light sources was measured after 1 minute burning period and after 30 minutes burning in reference axis. The distribution of the light intensity after 1 minute burning period was calculated using the ratio of the two described measurements. The light intensity and its distribution are in compliance with the requirement after 1 minute burning period and after 30 minutes burning period.

The light distribution angles and levels of intensity have been measured in accordance with Annex 4 of the Regulation, based on the manufacturer's indication of the centre of reference and axis of reference.

The lamp complies with the minimum intensity required in the table of standard light distribution in space as shown in Annex 4 when any one light source has failed.

~~A group of light sources, wired so that the failure of any one of them causes all of them to stop emitting light, shall be considered to be one light source.~~

**Test Report**  
**No. : TW007-A0-200080**  
**ECE Regulation No.7**

Type : 1001-6200  
 Manufacturer :

Results of photometric tests of the Front position lamp : category A

12 V

distribution of the intensity of the lamps in [cd]								
horizontal angle		L20°	L10°	L5°	V	R5°	R10°	R20°
vertical angle Requirement of minimum intensity	U10°	-	-	0.8	-	0.8	-	-
	U5°	0.4	0.8	-	2.8	-	0.8	0.4
	H	-	1.4	3.6	4	3.6	1.4	-
	D5°	0.4	0.8	-	2.8	-	0.8	0.4
	D10°	-	-	0.8	-	0.8	-	-
vertical angle sample 1	U10°	-	-	9.30	-	10.70	-	-
	U5°	0.50	5.60	-	102.70	-	4.70	0.60
	H	-	2.90	4.80	15.30	4.60	2.60	-
	D5°	1.60	3.70	-	46.40	-	5.90	1.40
	D10°	-	-	24.80	-	17.30	-	-
vertical angle sample 2	U10°	-	-	11.70	-	11.10	-	-
	U5°	0.50	4.40	-	75.80	-	4.20	0.50
	H	-	2.60	5.00	33.20	5.10	2.50	-
	D5°	1.40	5.70	-	55.40	-	5.20	1.20
	D10°	-	-	17.40	-	17.10	-	-

	sample 1	sample 2	allowable maximum	required minimum
maximum intensity [cd]	103.30	90.50	140	4
minimum intensity in the fields defined in annex 1 of the regulation [cd]	0.10	0.10	-	0.05

Decision :  Pass or  Failed

**Test Report**  
**No. : TW007-A0-200080**  
**ECE Regulation No.7**

Type : 1001-6200  
 Manufacturer :

Results of photometric tests of the Front position lamp : category A

24 V

distribution of the intensity of the lamps in [cd]								
horizontal angle		L20°	L10°	L5°	V	R5°	R10°	R20°
vertical angle Requirement of minimum intensity	U10°	-	-	0.8	-	0.8	-	-
	U5°	0.4	0.8	-	2.8	-	0.8	0.4
	H	-	1.4	3.6	4	3.6	1.4	-
	D5°	0.4	0.8	-	2.8	-	0.8	0.4
	D10°	-	-	0.8	-	0.8	-	-
vertical angle sample 1	U10°	-	-	9.00	-	10.90	-	-
	U5°	0.50	5.30	-	102.90	-	4.80	0.60
	H	-	2.90	4.70	15.30	4.80	2.70	-
	D5°	1.50	3.60	-	45.30	-	6.50	1.50
	D10°	-	-	24.80	-	17.80	-	-
vertical angle sample 2	U10°	-	-	11.80	-	11.30	-	-
	U5°	0.50	4.40	-	76.30	-	4.20	0.50
	H	-	2.60	5.00	33.70	5.10	2.50	-
	D5°	1.40	5.70	-	55.30	-	5.30	1.20
	D10°	-	-	17.30	-	17.00	-	-

	sample 1	sample 2	allowable maximum	required minimum
maximum intensity [cd]	103.20	91.10	140	4
minimum intensity in the fields defined in annex 1 of the regulation [cd]	0.10	0.10	-	0.05

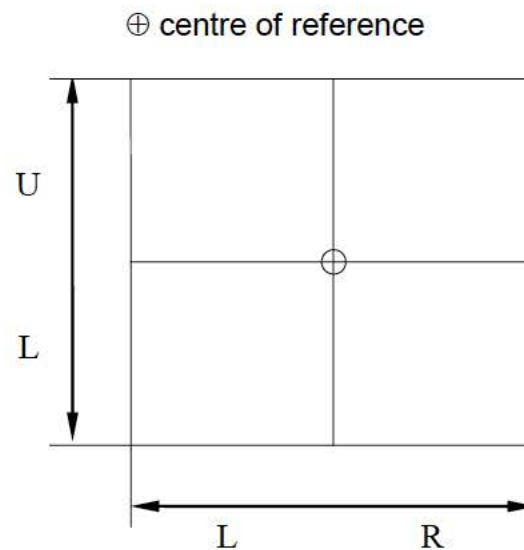
Decision :  Pass or  Failed

**Test Report**  
**No. : TW007-A0-200080**  
**ECE Regulation No.7**

Type : 1001-6200  
 Manufacturer :

Apparent surface : Vertical and horizontal outlines of the apparent surface of the light-signalling device in relation to the centre of reference.

Definition of the apparent surface of the device



function	upper boundary (U) [mm]	lower boundary (L) [mm]	Left boundary (L) [mm]	Right boundary (R) [mm]
Front position lamp	56.4	18.6	200	200

Explanatory note : This report describes the examination of the front position lamp as a part of a lamp device.

For the examination of the other lamp of the device, refer to the following report:

Type of lamp : Test Report No.

Driving Beam : TW112-A0-200080



**Test Report**  
**No. : TW007-A0-200080**  
**ECE Regulation No.7**

Type : 1001-6200  
Manufacturer :

---

Remark concerning tested object(s)

All versions of the lamps as stated in the information document are covered with the tested version(s) and test object(s) respectively.

Appendices

- L Technical information about the lamp type according to Annex 2 for the communication of the ECE Regulation No.7 type approval.
  
- 0 List of modifications : Not attached
  
- 1 Information folder no. : 1001-6200

Statement of conformity

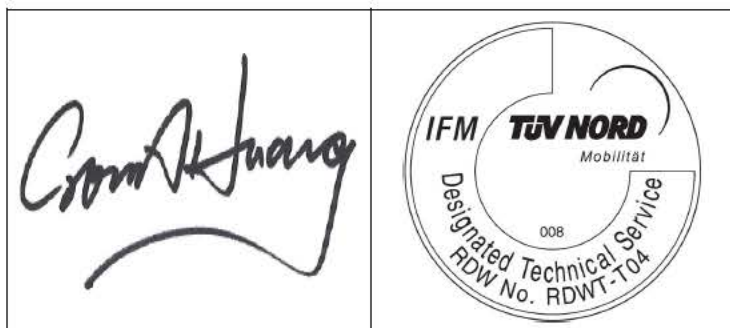
The information folder and the type described there comply with the requirements in the above mentioned ~~directive~~ regulation.

The samples / test vehicles used were representative in terms of the type to be approved.

The technical report (including appendix L) consists of pages 1 to 10 and shall not be reproduced except in full without the written approval of the testing laboratory.

Designated Technical Service: RDWT-T04

Taipei, February 02, 2021  
IFM/#



Cronus Huang  
Engineer


**Test Report**  
**No. : TW007-A0-200080**  
**ECE Regulation No.7**

Type : 1001-6200  
Manufacturer :

---


Technical information about the lamp type according to Annex 2  
for the communication of the ECE Regulation No.7 type approval

Appendix L

1. Trade name or mark of the device : 
2. Manufacturer's name for the type of device : 1001-6200  
Front position lamp
3. Manufacturer's name and address :
4. If applicable, name and address of manufacturer's representative : not applicable
5. Submitted for approval on : March 13, 2020
7. Date of report issued by that service : February 02, 2021
9. Concise description  
By category of lamp : A  
Colour of light emitted : ~~red~~ white  
Number and category of filament lamp(s) : 10 x LED  
Voltage and wattage : 12 V, 0.6 W / 24 V, 1.2 W  
Application of an electronic light source control gear/variable intensity control : not applicable
10. Position of the approval mark : on the lens
11. Reason(s) for extension : not applicable

## 1. Specification Data

December 31, 2020

Type		1001-6200	
Function		Front position lamp	Driving Beam
Light Color		White	White
Rated	Voltage	12 V / 24 V	12 V / 24 V
	Wattage	0.6 W / 1.2 W	81 W / 67 W
Application Regulation (ECE)		R7.03	R112.02
Category of light source		LED x 10	LED x 5
Position of marking	Trade mark		
		On the Reflector	
	Approval mark	On the lens	

## 2. Construction and Material :

Construction	Material	Remarks
Lens	PC (GE LS2-111) UV HC-3000 Coating	Clear
Reflector	PC	Vacuum Plating
Heat sink	ADC12	--

## 3. Name and Address of Manufactory :

4. Picture of tested sample

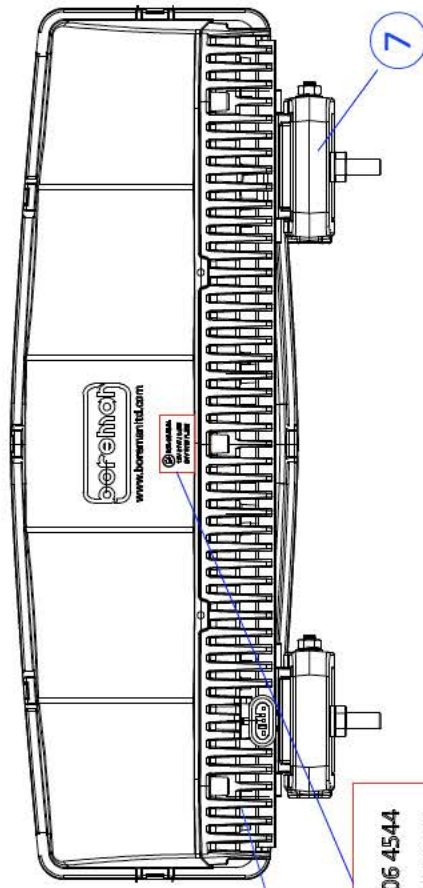
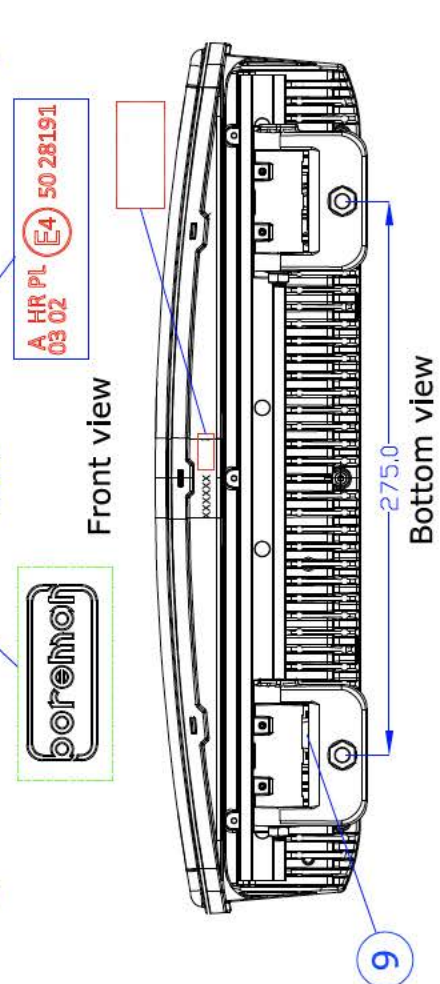
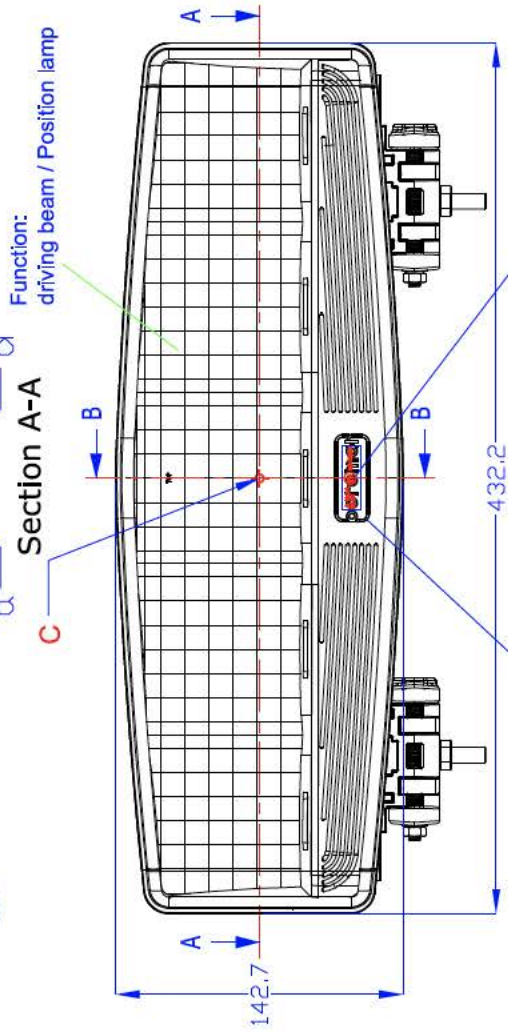
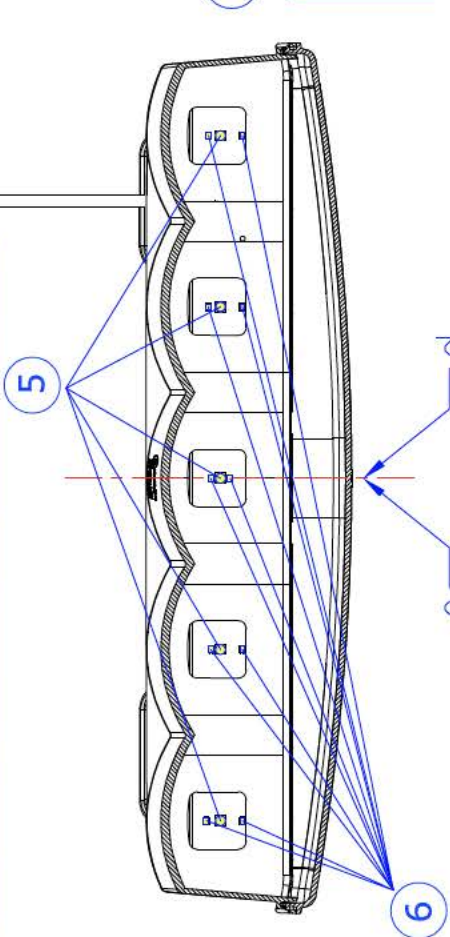
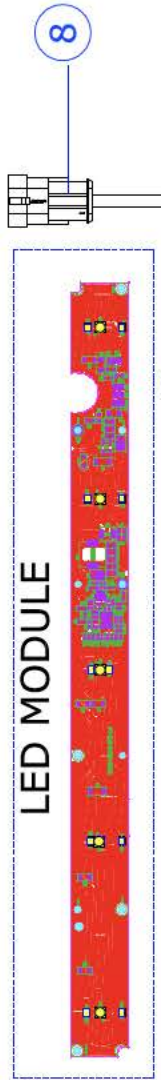


Sample 1

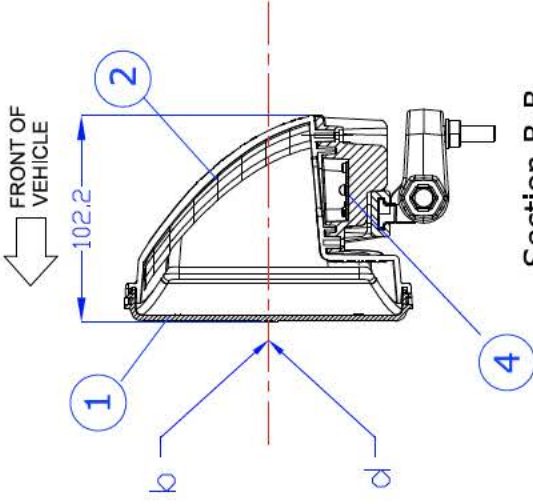
This document (including drawing) consists of 4 pages

# MODEL INFORMATION DOCUMENT NO. 1001-6200

REF	REV	DESCRIPTION	AUTH	DATE
1		New release	Dennis	2020/01/05



Back view



Section B-B

This drawing shall be applied for left and right hand.  
 a-Longitudinal plane of Vehicle.  
 b-Horizontal plane of Vehicle.  
 c-Center of reference.  
 d-Axis of reference.

NOTES:  
 Lens glued to the vacuum plating

9	VENT COVER
8	CONNECTOR
7	BRACKET
6	LED for position lamp
5	LED for driving beam
4	MCPCB
3	HEATSINK
2	VACUUM PLATING
1	OUTER LENS

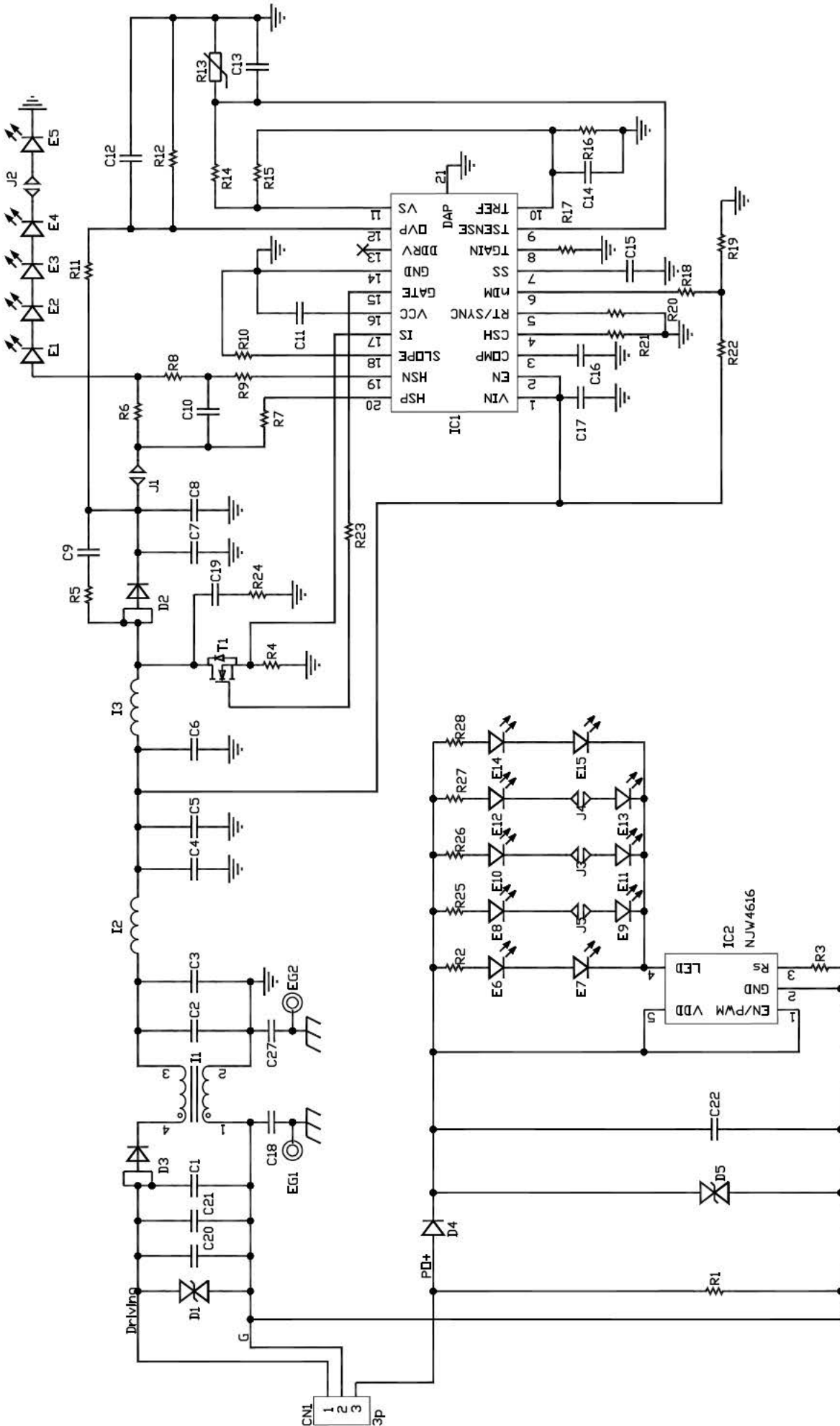
**E4** 10R-06 4544  
 12V 81W / 0.8W  
 24V 67W / 1.2W

A HR PL **E4** 50 28191  
 03 02

Dennis		DWG NO	
DWG	Dennis	SCALE	1:2
DR		UNIT	MM
APPR			

TOL UNLESS SPECIED  
 X=±0.5 XX=±0.2 XXX=±0.1

# MODEL INFORMATION DOCUMENT NO. 1001-6200



Top layer



Layout for driver

DWG	Dennis	TOL UNLESS SPECIED X=±0.5 XX=±0.2 XXX=±0.1
DR		SCALE 1:2
APPR		UNIT:MM
		DWG NO

THE NETHERLANDS  
(N E D E R L A N D)


## COMMUNICATION

Concerning <sup>(1)</sup>:

- approval granted
- ~~approval extended~~
- ~~approval refused~~
- ~~approval withdrawn~~
- ~~production definitely discontinued~~

of a type of device pursuant to Regulation number 7.

**Approval number: E4\*7R03/00\*28191\*00**

1. Trade name or mark of the device : 
2. Manufacturer's name for the type of device : **1001-6200**
3. Manufacturer's name and address :
4. If applicable, name and address of the manufacturer's representative : Not applicable
5. Submitted for approval on : March 13, 2020
6. Technical service responsible for conducting approval tests : TÜV NORD Mobilität GmbH & Co. KG  
IFM-Institut für Fahrzeugtechnik und Mobilität  
Schönscheidtstrasse 28, D-45307 Essen
7. Date of report issued by that service : February 02, 2021
8. Number of report issued by that service : TW007-A0-200080

9. Concise description :
- 9.1. By category of lamp : A
- For mounting either outside or ~~inside~~  
~~or both~~<sup>(1)</sup> : Outside
- Colour of light emitted : ~~red~~/white<sup>(1)</sup>
- Number, category and kind of light source(s) : 10 x LED
- Voltage and wattage : 12 V, 0.6 W / 24 V, 1.2 W
- Light source module specific identification code : Not applicable
- Only for limited mounting height of equal to or less than 750mm above the ground : ~~Yes~~/no<sup>(1)</sup>
- Geometrical conditions of installation and relating variations, if any : refer to the information folder
- Application of an electronic light source control gear/~~variable intensity control~~ :  
Not applicable
- (a) Being part of the lamp : ~~Yes~~/no<sup>(1)</sup>
- (b) Being not part of the lamp : ~~Yes~~/no<sup>(1)</sup>
- Input voltage(s) supplied by an electronic light source control gear/~~variable intensity control~~ : Not applicable
- Electronic light source control gear/~~variable intensity control~~<sup>(1)</sup> manufacturer and identification number (when the light source control gear is part of the lamp but is not included into the lamp body) : not applicable
- Variable luminous intensity : ~~Yes~~/no<sup>(1)</sup>
- The front position lamp<sup>(1)</sup>, rear position lamp<sup>(1)</sup>, stop lamp<sup>(1)</sup>, end-outline marker lamp<sup>(1)</sup> is only for use on a vehicle fitted with a tell-tale indicating failure : yes/no<sup>(1)</sup>





9.2. Function(s) produced by an interdependent lamp forming part of an interdependent lamp system: Not applicable

Front position lamp : ~~yes/no~~<sup>(1)</sup>

R1 Rear position lamp : ~~yes/no~~<sup>(1)</sup>

R2 Rear position lamp : ~~yes/no~~<sup>(1)</sup>

S1 Stop lamp : ~~yes/no~~<sup>(1)</sup>

S2 Stop lamp : ~~yes/no~~<sup>(1)</sup>

S3 Stop lamp : ~~yes/no~~<sup>(1)</sup>

S4 Stop lamp : ~~yes/no~~<sup>(1)</sup>

End-outline marker lamp : ~~yes/no~~<sup>(1)</sup>

10. Position of the approval mark : on the lens

11. Reason(s) for extension (if applicable) : Not applicable

12. Approval : ~~granted/extended/refused/withdrawn~~<sup>(1)</sup>

13. Place : Zoetermeer

14. Date : 08 February 2021

15. Signature :

  
**R. Sarabdjitsingh**

16. The list of documents deposited with the Administrative Service which has granted approval is annexed to this communication and may be obtained on request.

---

<sup>(1)</sup> Strike out what does not apply.